

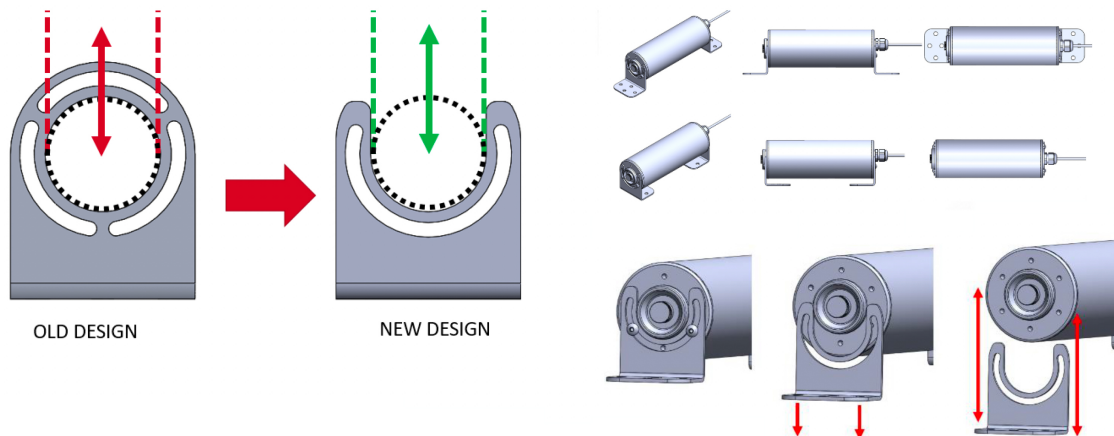
## EBAR IP69K & BLBAR IP69K

PCN #: 111902

Date Published: 18/10/2024

Notice Type: L-Bracket used for mounting the product has changed

**The Following Changes Are Made:** The L-Bracket has been redesigned with the top section removed, allowing for easier and more efficient installation of the IP69K EBAR. This new design not only simplifies the process by enabling the EBAR to be inserted from above, but also offers increased flexibility: the bracket can now be positioned underneath the product with the option of a 180-degree rotation. This adjustment significantly reduces the overall footprint and optimizes space utilization.



### Products Affected:

- EBAR-XXX-XXX-XX-IP69K-XX
- BLBAR-XXX-XXX-XX-IP69K

### Time Schedule:

Last order date and last shipping: **15/09/24**. Replacement product availability: **15/09/24**.

### TPL Vision UK LTD

Unit 1&2, PH2 Business Park, Breadalbane Terrace  
Perth, PH2 0FD, UNITED KINGDOM  
+44 (0)1738 310 392 | contact@tpl-vision.co.uk

### TPL Vision SAS

Parc d'Activités de Tournebride, 6 rue Nicolas Appert  
44118 La Chevrolière, FRANCE  
+33 (0)2 40 56 10 99 | contact@tpl-vision.fr