

MODULAR M-RING

COMPACT POWERFUL RING LIGHT

with built-in driver technology

NEW RELEASE



TRANSPARENT
VERSION compatible
with **Angles Changers**



DIFFUSED
VERSION **not** compatible
with **Angles Changers**



ALUMINIUM ENCLOSURE



C-MOUNT COMPATIBLE



CURRENT CONTROL

- HIGH POWER LEDS
- INTEGRATED CURRENT CONTROL
- IP RATING **IP67**
- ANGLE CHANGERS
- DIFFUSED VERSION AVAILABLE
- CONVERGENT LIGHT ATTACHMENT

VARIOUS
COLOURS

WHI 470 525 630 850



TPL VISION IS AN **ISO 9001**
CERTIFIED MANUFACTURER.

CONTACT YOUR LOCAL SALES
REPRESENTATIVE FOR MORE DETAILS

MODULAR M-TRING

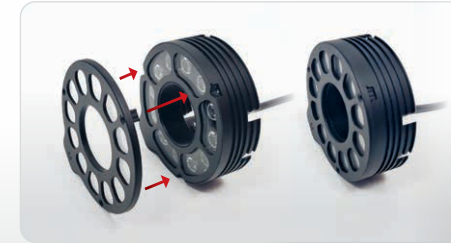
FEATURES OVERVIEW

ROBUST, ANODIZED
ALUMINIUM HOUSING

±5° LENS ANGLE

Add Angle Changers for diffusion and to change beam angle.

■ **ANGLE CHANGERS:**



EASILY ATTACH
THE ANGLE
CHANGER
ACCESSORY

➔ **Narrow ±10°** (Standard & Polarised)

➔ **Polariser** alone

➔ **Medium ±17°** (Standard & Polarised)

➔ **Convergent** light

➔ **Wide ±25°** (Standard & Polarised)

INTERNAL Ø 37 mm

■ **POWER SUPPLY:**

■ **AUTOSTROBE**
automatic OverDrive
brightness when product
is strobed <10ms

■ **STANDARD M12 5 PINS**

- 24VDC
- GND
- PNP
- NPN
- DIMMING 0-10V = 100-30%

■ **DIMMING**
on continuous mode
and OverDrive mode

■ **<15µs RISE TIME**



C-MOUNT
ADAPTOR

IP67 RATING

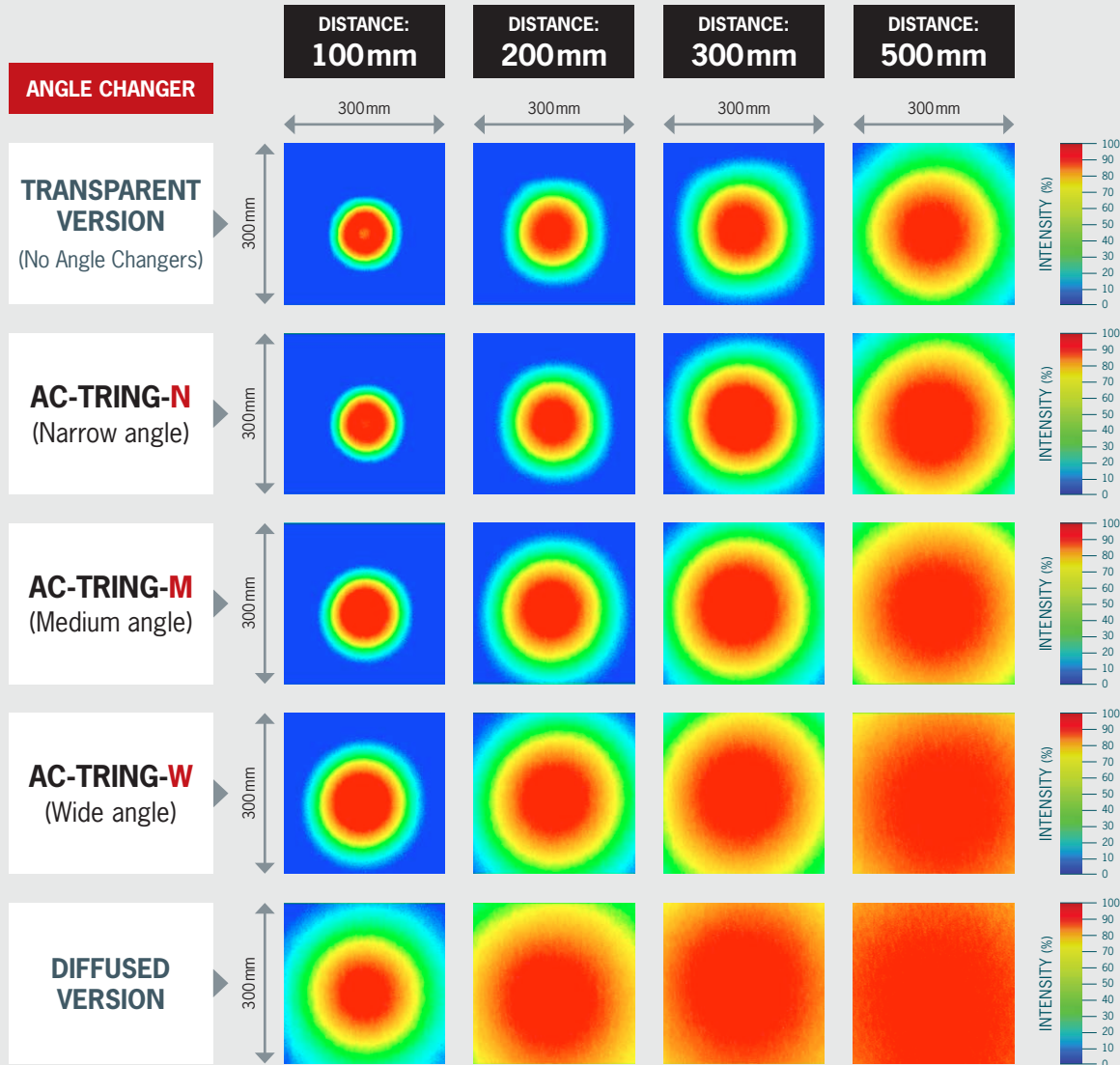
with **vent** to avoid
condensation.

MAGNETIC
ATTACHMENT

For testing **Angle**
Changers and screws
for fixing them in final
application.

MODULAR M-TRING

FIELDS OF VIEW



Polariser options available for all angle changers except converging type.

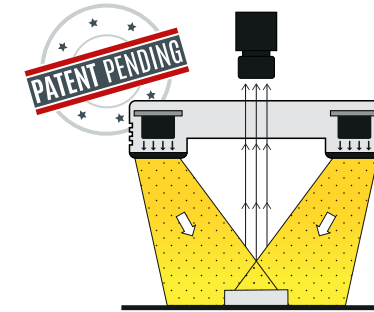
CONVERGENT LIGHT ATTACHMENT

AC-TRING-C22

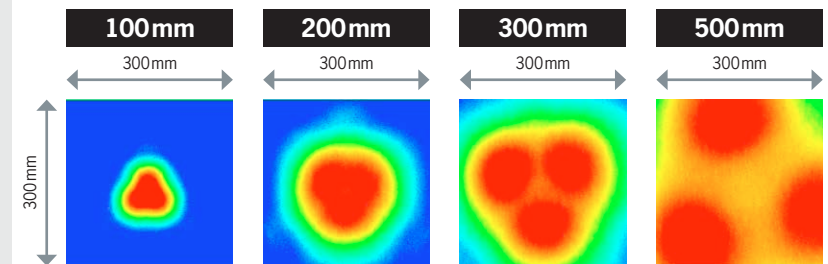
Remove the **halo effect**



Leverage **increased light intensity** at closed working distance



M-TRING with **Convergent Angle Changer**
(Ref: AC-TRING-C22)



Recommended for use at 60mm to 200mm.

MODULAR M-TRING

TECHNICAL DATA

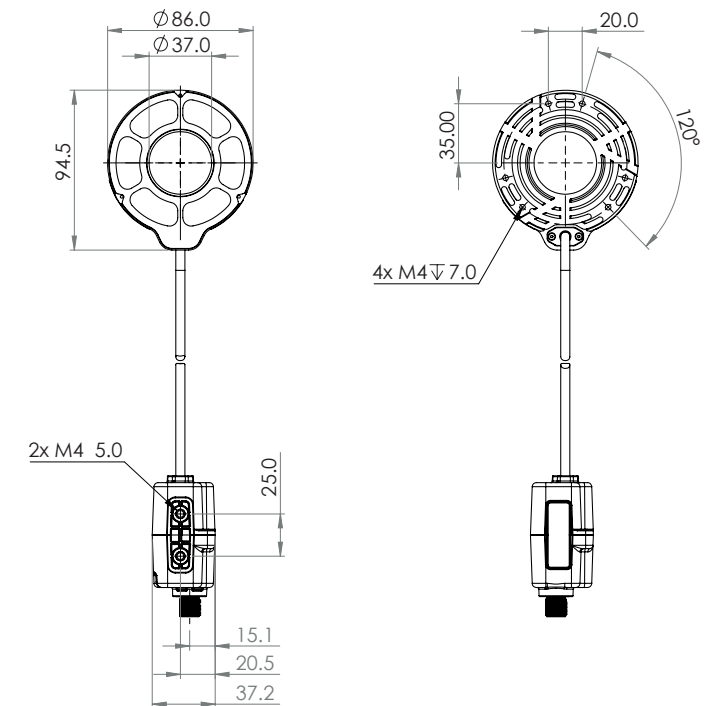
IRRADIANCE* IN OVERDRIVE MODE (data in W/m²)

DISTANCE	TRANSPARENT	CONVERGENT AC	OPAQUE
60 mm	188	2225	292
100 mm	425	1707	126
200 mm	900	267	40
500 mm	285	36	11
1000 mm	76	8	4

IRRADIANCE* IN CONTINUOUS WORKING (data in W/m²)

DISTANCE	TRANSPARENT	CONVERGENT AC	OPAQUE
60 mm	52	618	81
100 mm	118	474	35
200 mm	250	74	11
500 mm	79	10	3
1000 mm	21	2	1

DRAWINGS:



	External Ø (mm)	Internal Ø (mm)	Thickness (mm)
M-TRING	86	37	27

	Length (mm)	Width (mm)	Thickness (mm)
Power supply	83.3	37.2	42.7

Cable	length: 500mm
--------------	---------------

Connector	M12 5 pins
------------------	------------

* Measured with white LED M-TRING. Brightness reference point is in the center of the field of view.

MODULAR M-TRING



ORDER REFERENCES

Electronics	
Power Supply	24 VDC ±10%
Functioning Mode	Continuous working (CW), Strobe OverDrive
Rise and Fall Time	15µs / 10µs, respectively
Wiring	M12 5 Pin Connector
Strobe Conditions	10ms @ 20% duty cycle
Peak Consumption (WHI) (OverDrive peak)	2.54A
Optics	
Colours	White, Red 630nm, Green 525nm, Blue 470nm & Infrared 850nm
Mechanical	
Dimensions	94.5x86x27 (37 Ø internal)
Weight	Light: 210g / Control box: 72g
Materials	Aluminium (anodised), ABS, PC, Stainless Steel, Neodymium
Environment	
Operating Temperature	-10° to +40°C / 80% of humidity without condensation No thermal shock (max temperature variation: 10°C in 24h)
Storage Temperature	-20° to +60°C / 80% of humidity without condensation No thermal shock (max temperature variation: 10°C in 24h)
IP Protection	IP 67
Information	
Labels	RoHS / CE / UKCA / WEEE
Country of Origin	Made in France
Tariff Number	94054990



Get more information:

www.tpl-vision.com

M-TRING:

M-TRING	COLOUR	DIFFUSER OPTION
	WHI (white)	UN-DT (transparent)
	630 (red)	NL-DO (opaque)
	525 (green)	
	470 (blue)	
	850 (infrared)	

EXAMPLES:

- Modular M-TRING white LEDs transparent diffuser
➔ M-TRING-WHI-UN-DT

ANGLE CHANGERS:

AC-TRING	ANGLE	OPTION: POLARISER
	N (narrow)	P1
	M (medium)	
	W (wide)	
	C22* (convergent)	
	POLARISER ONLY	
	POL1	

EXAMPLES:

- Narrow ➔ AC-TRING-N
- Narrow with polariser ➔ AC-TRING-N-P1

*Polarised option does not include the Convergent Angle Changer

Compatible with the M-TRING-xxx-UN-DT ONLY

AC COMBO:

Ref: **AC-TRING-CO**

CONTENT:

- x1 AC-TRING-N
- x1 AC-TRING-M
- x1 AC-TRING-W
- x1 AC-TRING-C22
- x1 AC-TRING-POL1

SWIVEL MOUNT:

Ref: **SWIVEL-MOUNT-T**



MOUNTING BRACKETS:

Ref: **TPL-MOUNT-M-TRING-V1**

Ref: **TPL-MOUNT-LBRACKET1**

Ref: **TPL-M-TRING-HPR-CONVERTER**